

M556 Series (2466 Series), M572 Series (2472 Series), M573 Series (2473 Series), M574 Series (2474 Series)

Pneumatic Damper Actuators

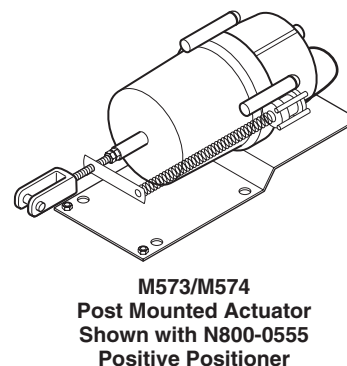
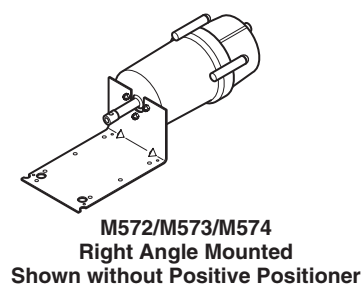
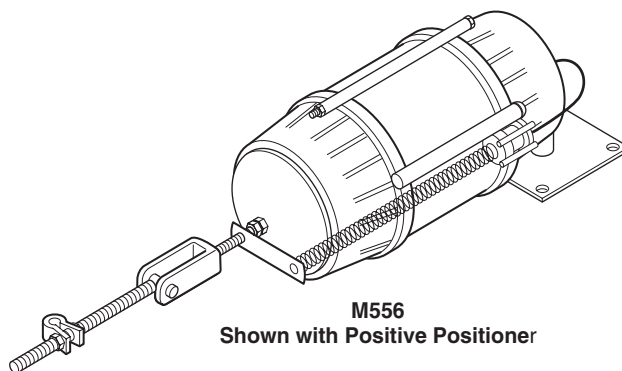
These actuators are designed for use in pneumatic control systems to position air control dampers in response to signals from pneumatic controllers. The M556 is a large swivel-mounted actuator with an adjustable crank arm having a clamp to fit a 1/2 in. O.D. damper shaft.

The M570 Series damper actuators are used in pneumatic control systems to position automatic air dampers upon receipt of an air pressure signal from a control device. These actuators are equipped with right angle brackets and are adaptable to air conditioning, multi-zone, heating, ventilating, fan coil units, unit ventilators, mixing boxes, and VAV terminal boxes. M573 and M574 are also available as post-mounted actuators.

The M583 is used in classroom type unit ventilators. Special mounting kits are available for adapting the actuator to the various makes and models of classroom type units. The M584 is designed for use on large volume unit ventilators. An internal spring arrangement permits the actuator to operate gradually to a preset percentage of total stroke, hesitate for a preset pressure range, and then complete its full travel. When combined with other control devices, these actuators may be adjusted to perform as required by ASHRAE control cycles for unit ventilators.

Features:

- Rigid, corrosion-resistant glass-filled nylon bodies.
- M556, M573 and M574 have 303 stainless steel shafts.
- M556, M573 and M574 available with or without N800-0555 (2850-xxx) positioner.



Model Chart

2 in. Stroke (3 sq. in.).

Model No.	Spring Range psig	Mounting	Description
M572-2308	3 to 12	Right-angle	Actuator with ball joint to accept 5/16 in. push rod.
M572-2311			Actuator with complete linkage for 1/2 in. damper shafts.
M572-8308	4 to 8		Actuator with ball joint to accept 5/16 in. push rod.
M572-8311			Actuator with complete linkage for 1/2 in. damper shafts.
M572-3308	5 to 10		Actuator with ball joint to accept 5/16 in. push rod.
M572-3311			Actuator with complete linkage for 1/2 in. damper shafts.
M572-5308			Actuator with ball joint to accept 5/16 in. push rod.
M572-5311	8 to 13		Actuator with complete linkage for 1/2 in. damper shafts.
M572-6308			Actuator with ball joint to accept 5/16 in. push rod.
M572-6311	10 to 15		Actuator with complete linkage for 1/2 in. damper shafts.

M556 Series (2466 Series), M572 Series (2472 Series), M573 Series (2473 Series), M574 Series (2474 Series)

Hesitation Actuator.

Model No. ^a	Stroke	Diaphragm Area	Spring Range psig	Mounting	Description
M583-0520	2 in.	7 sq. in.	1 to 4 and 8 to 12	Post-mtd.	Actuator with stamped clevis, clevis pin and bracket; for use on air handlers where factory mounting has not been established.
M584-0211	3 in.	11 sq. in.	1 to 4 and 8 to 13	Right-angle	Actuator with pushrod and stamped crankarm for 90° rotation of 1/2 in. damper shaft.

^a Total stroke of these hesitation actuators takes place in two stages, from 1 to 4 and 8 to 12 (or 8 to 13) psig. No shaft movement from 4 to 8 psig.

3 in. Stroke (7 sq. in.).

Model No.	Spring Range psig	Mounting	Description
M573-2108	3 to 12	Right-angle	Actuator with ball joint to accept 5/16 in. push rod.
M573-2111		Right-angle	Actuator with complete linkage for 1/2 in. damper shafts.
M573-2520		Post-mtd.	Actuator with clevis and pin.
M573-8108	4 to 8	Right-angle	Actuator with ball joint to accept 5/16 in. push rod.
M573-8111			Actuator with complete linkage for 1/2 in. damper shafts.
M573-8520		Post-mtd.	Actuator with clevis and pin.
M573-3108	5 to 10	Right-angle	Actuator with ball joint to accept 5/16 in. push rod.
M573-3111			Actuator with complete linkage for 1/2 in. damper shafts.
M573-3520		Post-mtd.	Actuator with clevis and pin.
M573-1108	8 to 13	Right-angle	Actuator with complete linkage and positive positioner for 5/16 in. push rod and 1/2 in. damper shafts.
M573-1111			Actuator with positive positioner.
M573-1520		Right-angle	Actuator with ball joint to accept 5/16 in. push rod.
M573-5108			Actuator with complete linkage for 1/2 in. damper shafts.
M573-5111			Actuator with complete linkage for 1/2 in. damper shafts.
M573-5520	Post-mtd.	Actuator with clevis and pin.	
M573-6108	10 to 15	Right-angle	Actuator with ball joint to accept 5/16 in. push rod.
M573-6111		Right-angle	Actuator with complete linkage for 1/2 in. damper shafts.
M573-6520		Post-mtd.	Actuator.

M556 Series (2466 Series), M572 Series (2472 Series), M573 Series (2473 Series), M574 Series (2474 Series)

4 in. Stroke (11 sq. in.).

Model No.	Spring Range psig	Mounting	Description
M574-2208	3 to 12	Right-angle	Actuator with ball joint to accept 5/16 in. push rod.
M574-2211			Actuator with complete linkage for 1/2 in. damper shafts.
M574-2520		Post-mtd.	Actuator with clevis and pin.
M574-8208	4 to 8	Right-angle	Actuator with ball joint to accept 5/16 in. push rod.
M574-8211			Actuator with 1/2 in. shaft linkage and bracket.
M574-8520		Post-mtd.	Actuator with clevis and pin.
M574-3208	5 to 10	Right-angle	Actuator with ball joint to accept 5/16 in. push rod.
M574-3211			Actuator with complete linkage for 1/2 in. damper shafts.
M574-3520		Post-mtd.	Actuator with clevis and pin.
M574-1054	8 to 13	Right-angle	Actuator for Keystone butterfly valve, w/positioner.
M574-1208			Actuator with complete linkage and positive positioner for 5/16 in. push rod and 1/2 in. damper shafts.
M574-1211		Post-mtd.	Actuator with positive positioner.
M574-1520			Actuator with ball joint to accept 5/16 in. push rod.
M574-5208		Right-angle	Actuator with 1/2 in. shaft linkage and bracket.
M574-5211			Actuator with ball joint to accept 5/16 in. push rod.
M574-6208	10 to 15	Right-angle	Actuator with ball joint to accept 5/16 in. push rod.
M574-6211		Right-angle	Actuator with complete linkage for 1/2 in. damper shafts.
M574-6520		Post-mtd.	Actuator.

6 in. Stroke (24.8 sq. in.).

Model No.	Wholesale Model No.	Spring Range psig	Mounting	Description
M556-14		8 to 13	Swivel-mtd.	60° to 120° adj. linkage to accept 1/2 in. shafts w/positioner (with 5 psi span feedback spring).
M556-1402				w/Positioner, for Keystone butterfly valve.
M556-51				60° to 120° adjustable linkage to accept 1/2 in. shafts.
M556-5101	M556-5101			No linkage. Hole in end of shaft is tapped to receive a 3/8" - 16 machine screw.
M556-5102				For Keystone butterfly valve.

M556 Series (2466 Series), M572 Series (2472 Series), M573 Series (2473 Series), M574 Series (2474 Series)

Specifications

Construction	
Housing	Glass-filled nylon.
Diaphragm	Neoprene, rolling type.
Shaft	Stainless Steel on M556, M573, M574. Nickel plated steel on M572, M583, M584.
Stroke	Refer to Model Chart.
Spring	Retract actuator shaft on loss of air pressure.
Ambient temperature limits	-20 to 180°F (-29 to 82°C).
Supply air pressure	Clean, dry, oil free air required.
Nominal	20 psig (138 kPa). [M580 Series nominal 0 to 15 psig (0 to 103 kPa).]
Maximum	30 psig (207 kPa).
Air consumption (positioner models)	0.017 scfm.
Adjustments	
Hesitation stroke start point	4 psig (28 kPa); stroke adjustable 20% to 70% prior to 4 psig (M58X only).
Finish stroke start point	8 psig (55 kPa); stroke adjustable 80% to 30% after 8 psig (M58X only).
Connections	Barbed fitting for 1/4 in. O.D. plastic tubing.
Dimensions	
M556 Series	5-3/4 dia. x 17 L in. (146 x 432 mm).
M573 Series	3-3/4 dia. x 14 L in. (95 x 356 mm).
M574 Series	4-5/8 dia. x 15-1/8 L in. (117 x 384 mm).